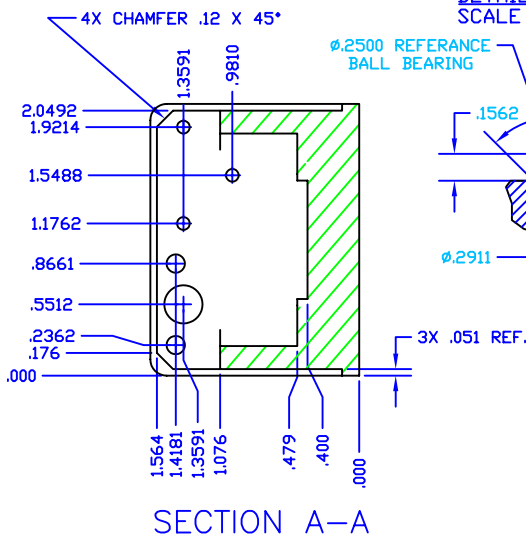
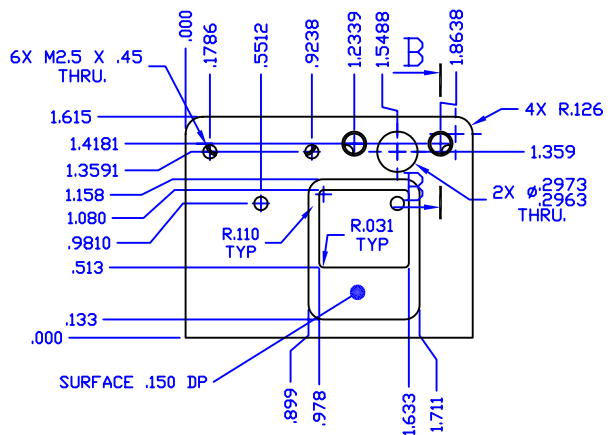
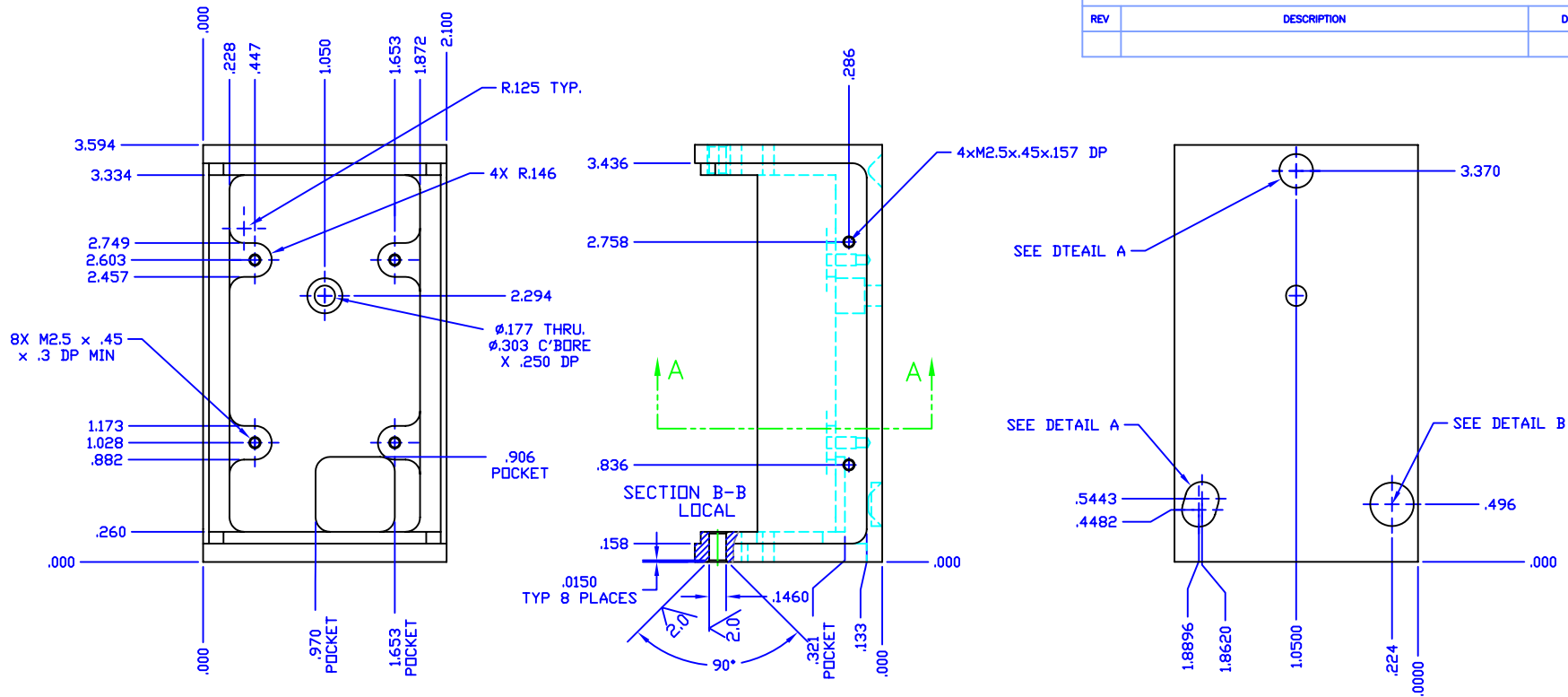


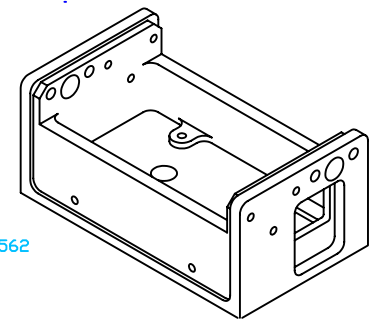
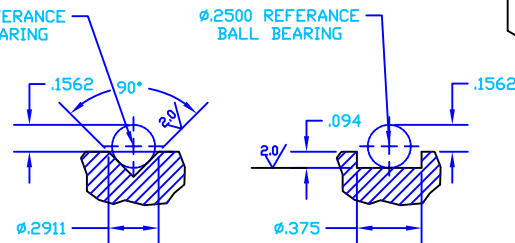
REVISIONS

REV	DESCRIPTION	Date	APPROVED



CONE AND SLOT
DETAIL "A"
SCALE = 2X

PAD DETAIL "B"
SCALE = 2X



- NOTES:
 1. DO NOT SAND BLAST.
 2. ALL DIMENSIONS ARE AFTER PLATING.
 3. MASK ALL THREADS BEFORE PLATING.

MATERIAL AL 6061 OR EQUIV.		TREATMENT BLACK ANODIZE	
<p>TOLERANCES UNLESS SPECIFIED: DIMENSIONS ARE IN INCHES .XX = ± .01 .XXX = ± .005 .XXXX = ± .0010 ANG. = ± 0°30'</p> REMOVE ALL BURRS AND SHARP EDGES In [mm]		<p>SIGNED DATE 03.10.08 DRAWN KEN WYNN ENGINEER AD CHECKED</p>	
<p>Atlas Brandeis University Waltham MA 02254</p>		<p>Title BCAM-2 BASE</p>	
<p>DWG NO. 200-07-01A</p>		<p>REV. H</p>	
<p>Scale NONE</p>		<p>Sheet 1 of 1</p>	