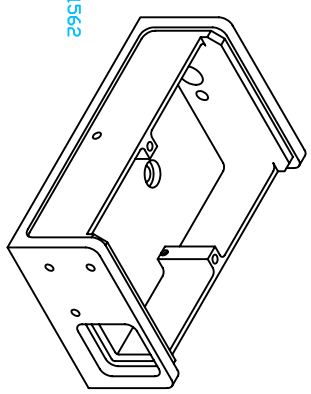
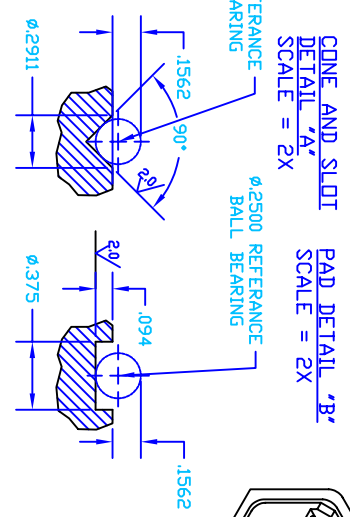
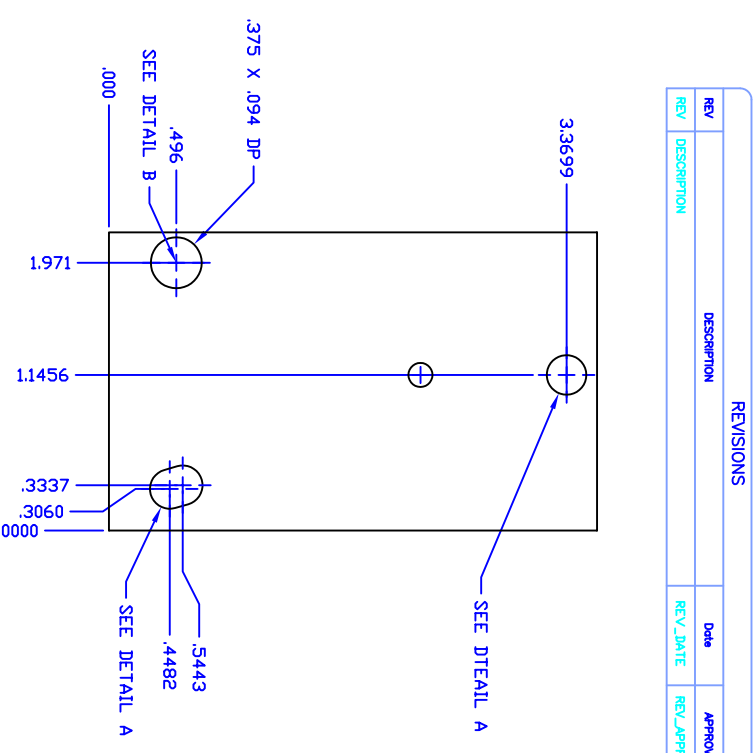
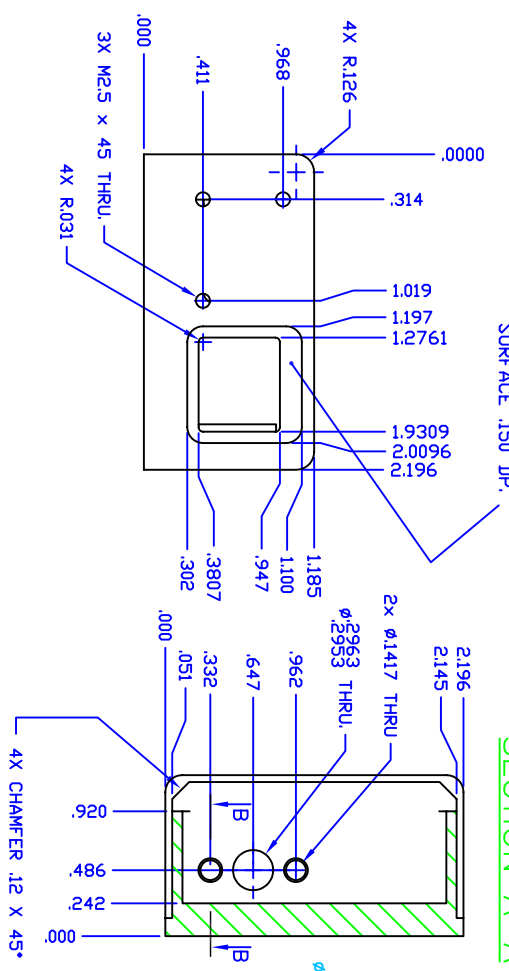
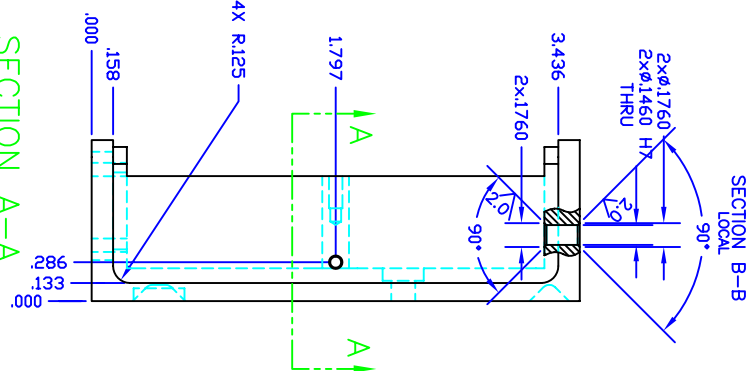
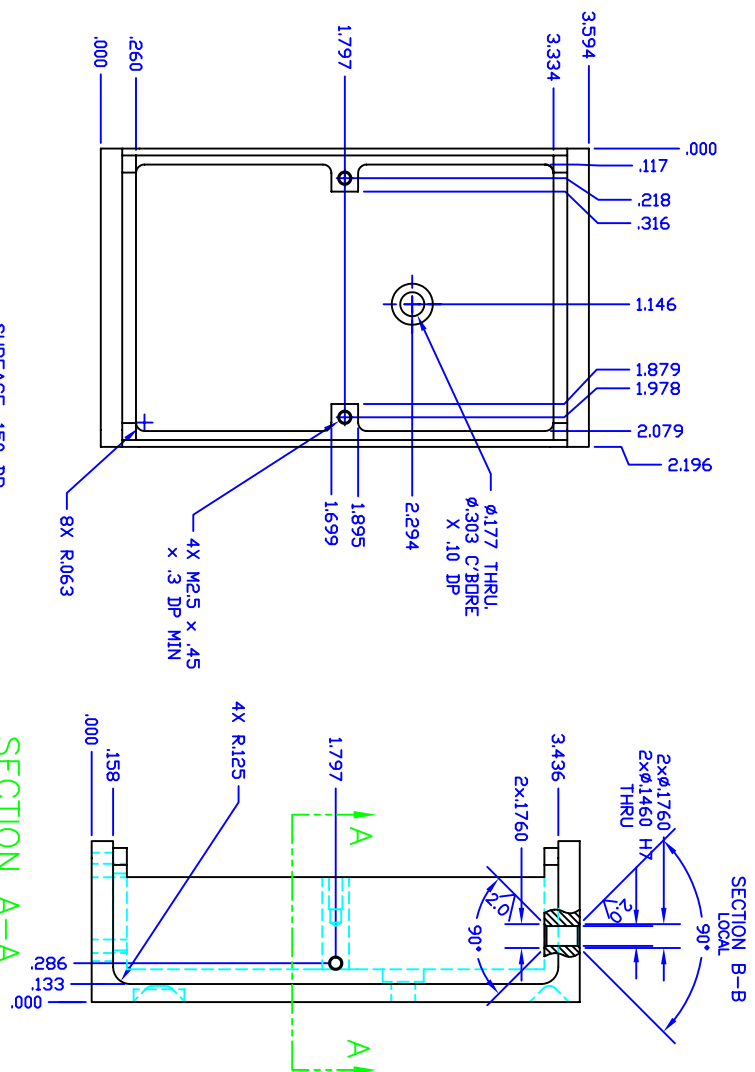


REVISIONS			
REV	DESCRIPTION	DATE	APPROVED
REV	DESCRIPTION	REV DATE	REV APPROVAL



NOTES:  
1. DD NOT SAND BLAST.

**TOLERANCES**  
UNLESS SPECIFIED,  
DIMENSIONS ARE IN INCHES

XX = ± .01  
XXX = ± .005  
XXXX = ± .0010  
ANG. = ± 0°30'

**REMOVE ALL BURRS AND SHARP EDGES**  
In [mm] 63

SIGNED	DATE
ENGINEER	CHECKED
ENGINEER	CHECKED

**BRANDEIS UNIVERSITY**  
Waltham MA 02554

Title: TITLE\_1  
TITLE\_2

DWG. NO. DWG. NO.  
Scale SCALE Sheet # of SET