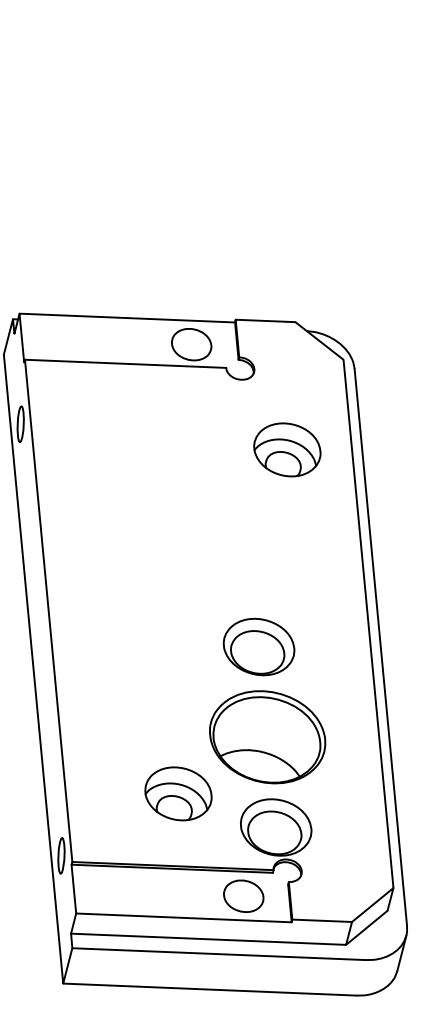
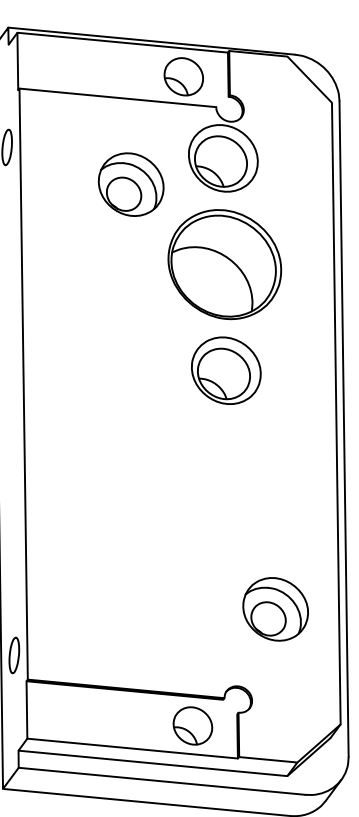
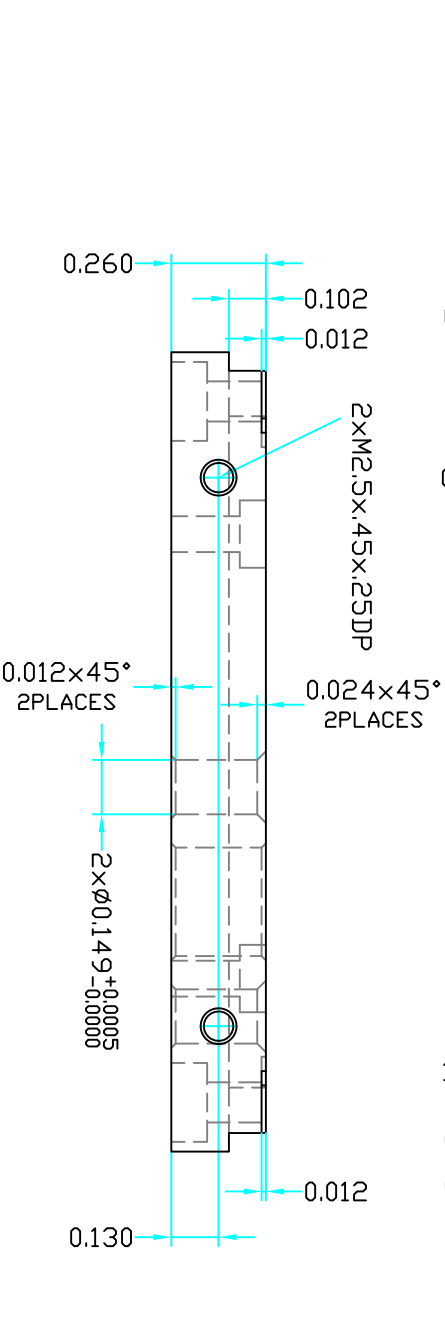
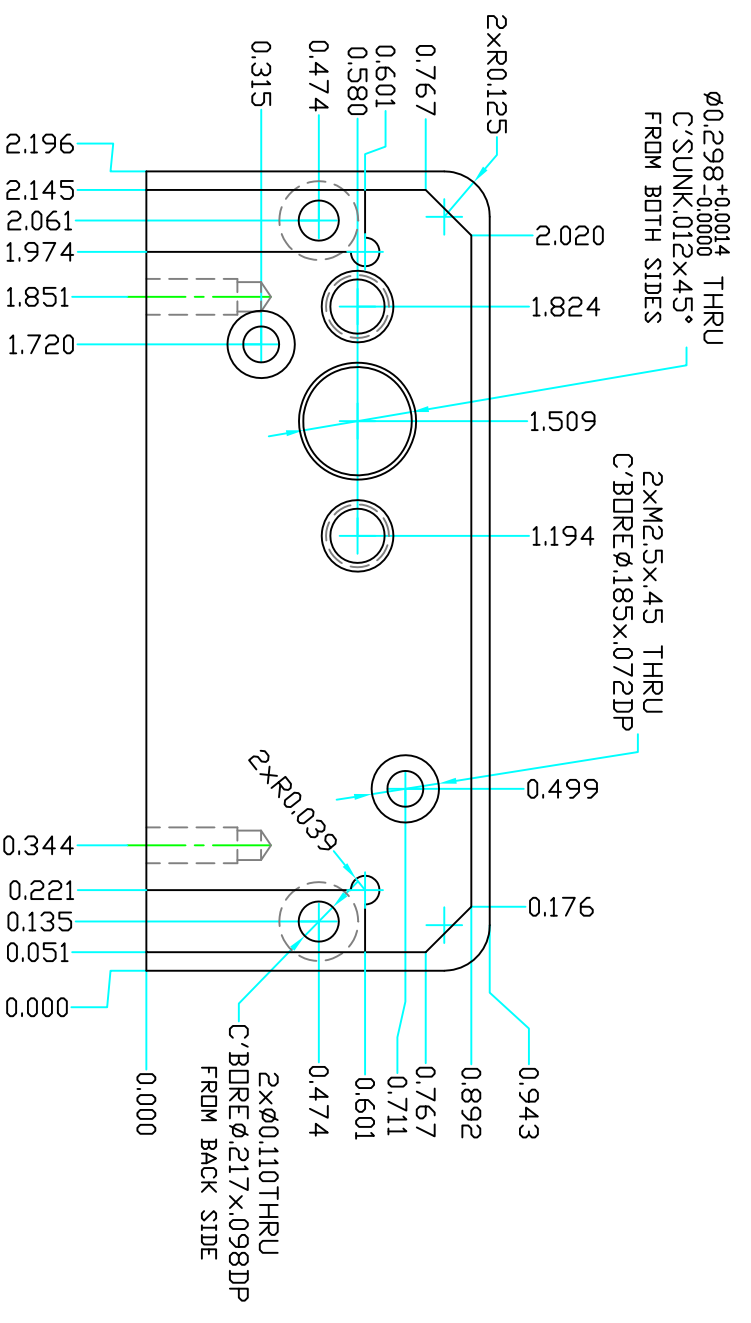
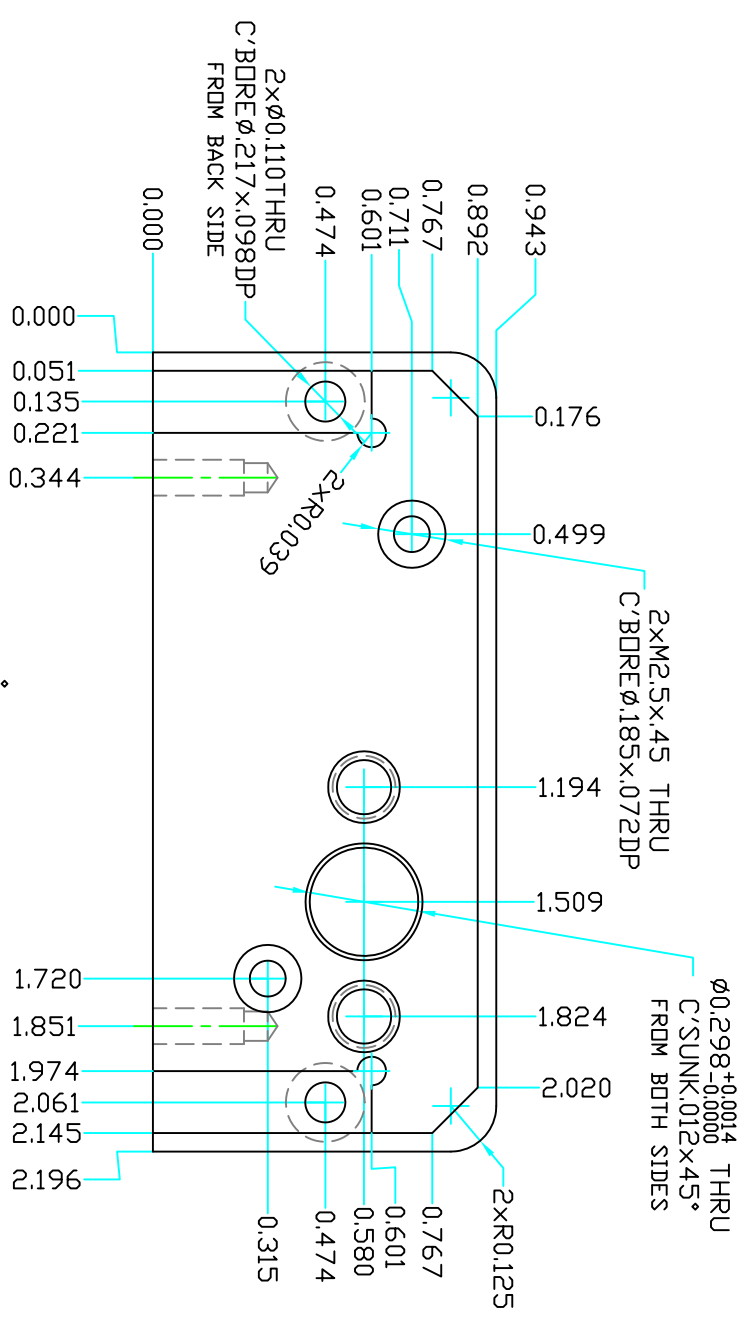


ZONE	REV	DESCRIPTION	DATE	APPROVED
B		RECESS ADDED	03.25.15	JB



PART 1

PART 2
MIRROR IMAGE OF PART 1

PART#	QTY	UM	PART NAME	MATERIAL	REF. SHEET/DWG
PART1	1	EA	PLATE	ALUMINUM 6061	BLACK ANODIZED
PART2	1	EA	PLATE	ALUMINUM 6061	BLUE ANODIZED

PARTS LIST		PERMISSIBLE VARIATION IN INCH DIMENSIONS WITHOUT TOLERANCES	
12 TO 60	±0.10	DECIMAL PLACES X & XX	XXX
60 TO 180	±0.13	BELTOW 18	±0.015
OVER 180	±0.20	OVER 48	±0.030
		ANGLE TOLERANCE ±0.1°	

SURFACE TEXTURE: R_a
TOLERANCES ARE NOT ACCUMULATIVE

REV	DATE	BY	CHKD	APP'D	DESCRIPTION
01	15/15	ANDRE			NSW ALIGNMENT BEAM PLATE FRONT

ATLAS
BRANDEIS
HIGH ENERGY PHYSICS LABORATORY

SIZE	D	SCALE	1:1
PROJECT NUMBER	500	DRAWING NUMBER	
SHEET	1 OF 1	REVISION	B

- NOTES:
1. DID NOT SANDPLAST
2. MASK ALL THREADS BEFORE PLATING

6 5 4 3 2 1