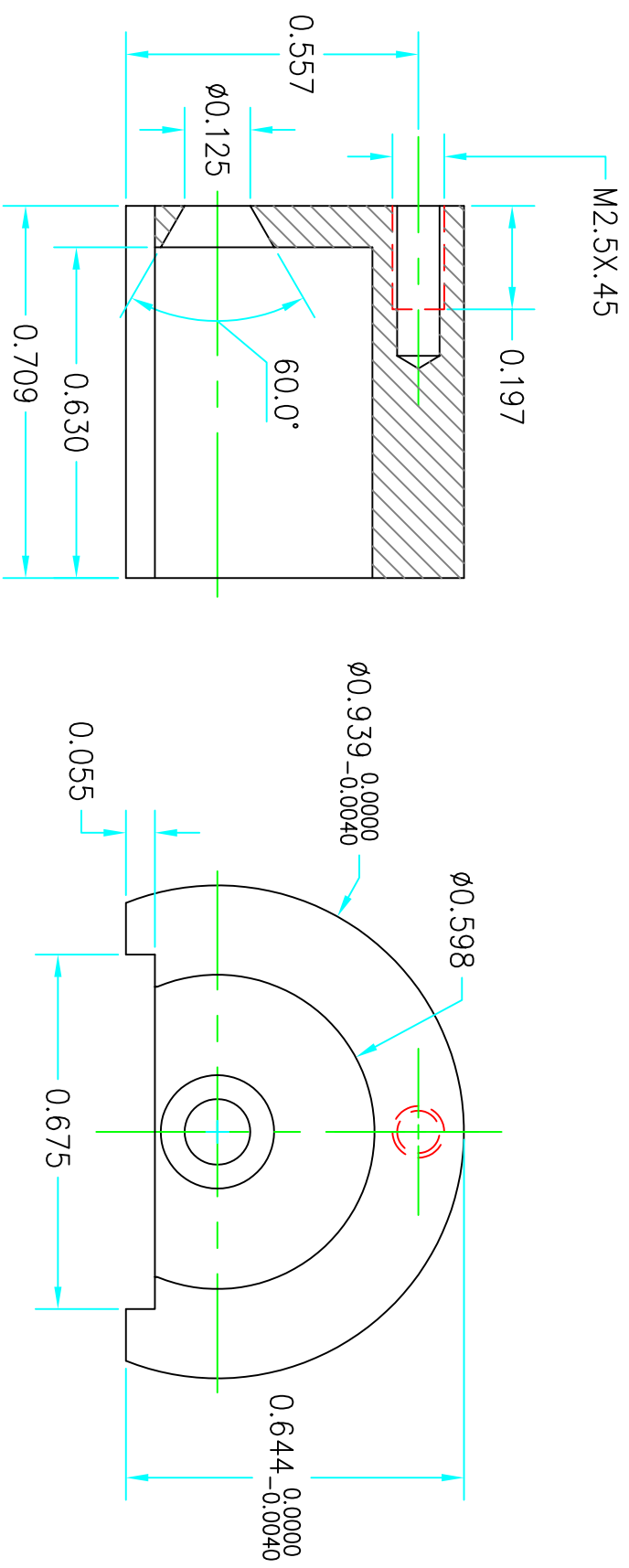


ZONE	REV	DESCRIPTION	DATE	APPROVED



PNO/REF #	QTY	U/LM	PART NAME	MATERIAL	REF. SHEET/DWG.
1	EA	LENS HOLDER	AL 6061	LENS HOLDER FOR LENS Ø15	

UNLESS OTHERWISE SPECIFIED:		PERMISSIBLE VARIATION IN INCH DIMENSIONS WITHOUT TOLERANCES	
1. DIMENSIONS ARE IN INCHES.		FABRICATION TOLERANCES	MACHINING TOLERANCES
2. MACHINING SURFACES TO BE FLAT, SQUARE, PARALLEL, & CONCENTRIC WITHIN .001 FOR 5 INCHES OR .001 TIR AS APPLICABLE.		BELOW 12	±0.10
3. MARK ALL DETAILS (EXCEPT COMMERCIAL PARTS) WITH DIM. & DIM NUMBER.		12 TO 60	±0.13
4. ALL CORNERS .01" x 45° CHAMFER.		60 TO 180	±0.20
5. FILLETS SHOWN SHARP UNLESS NOTED.		18 TO 48	±0.05
6. TAPPED HOLES: UNIFIED CLASS 2B THREAD, MIN DEPTH 1.5 x DIA.		OVER 180	±0.30
7. CHAMF BORED & REAMED HOLES 1/16" x 45°.			OVER 48
8. CENTERS PERMISSIBLE.			±0.05
9. DO NOT SCALE DRAWING.			±0.05
10. ALL WELDING TO CONFORM TO LATEST AWS STANDARDS.			±0.15

ATLAS - BMC
BRANDEIS UNIVERSITY

HIGH ENERGY PHYSICS LABORATORY

ALIGNMENT EE PROXY CAMERA LENS HOLDER

DATE: 04/16/09
 CHECKED: J. B. 07/15/01

SIZE: D
 SCALE: 5/1

PROJECT NUMBER: 42
 DRAWING NUMBER: 42.16.00.02

SHEET: 1 OF 1
 REVISION: A