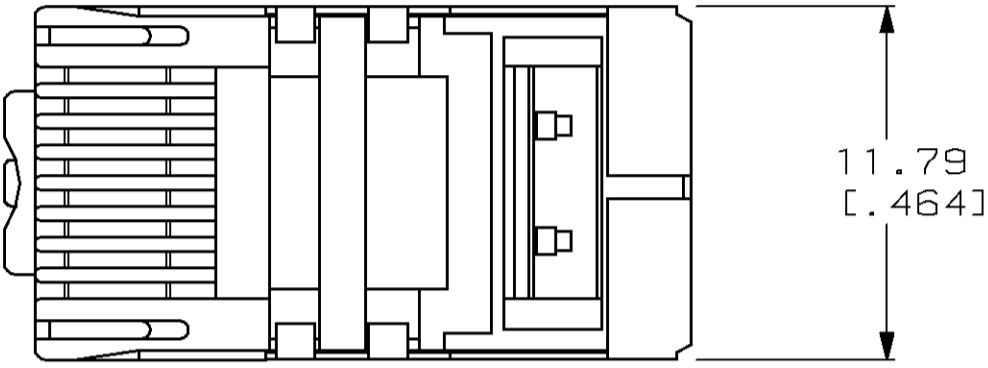
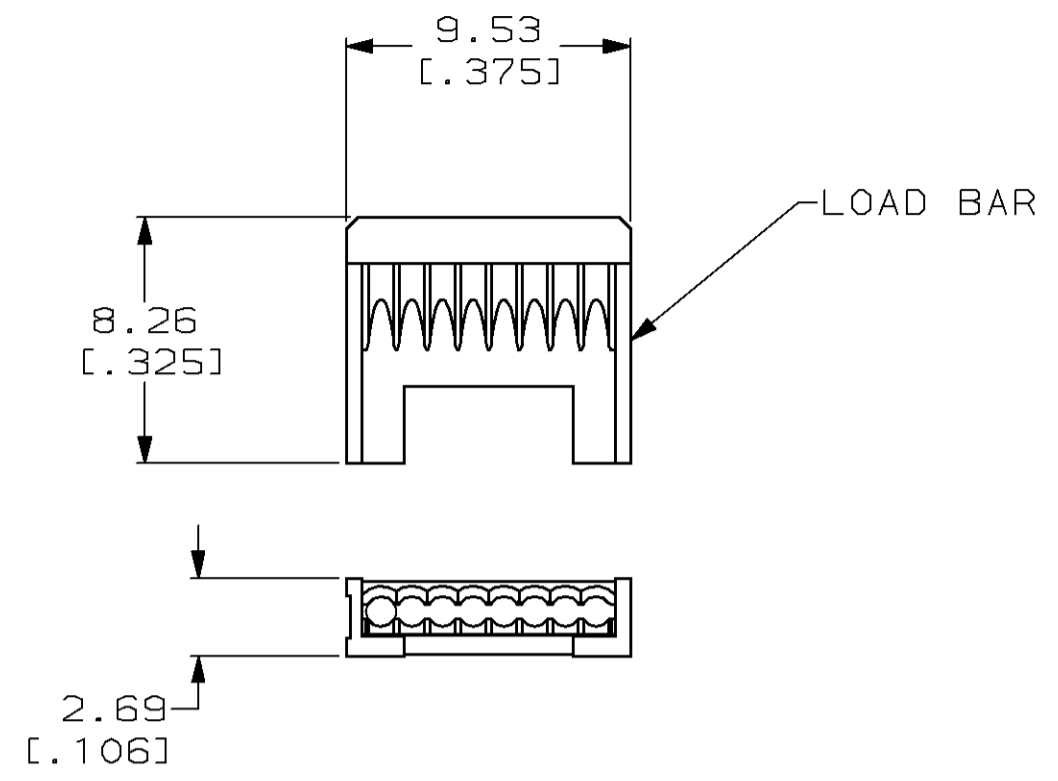
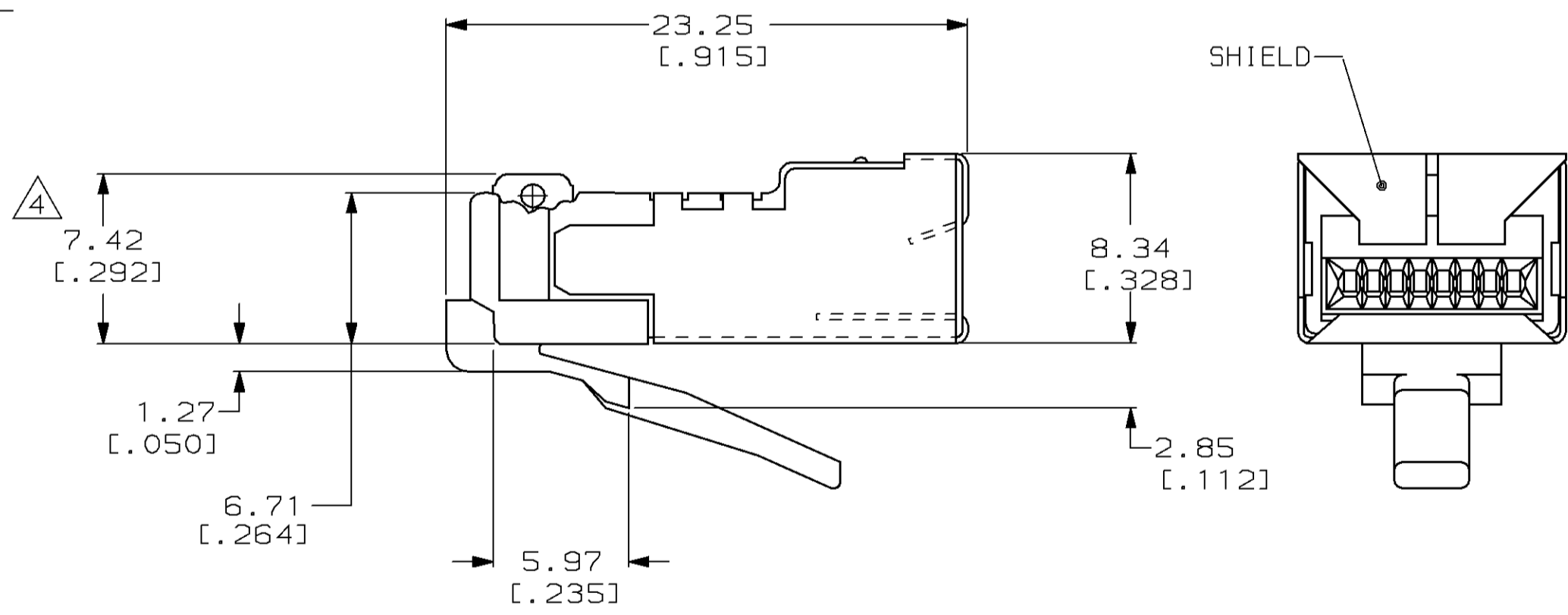
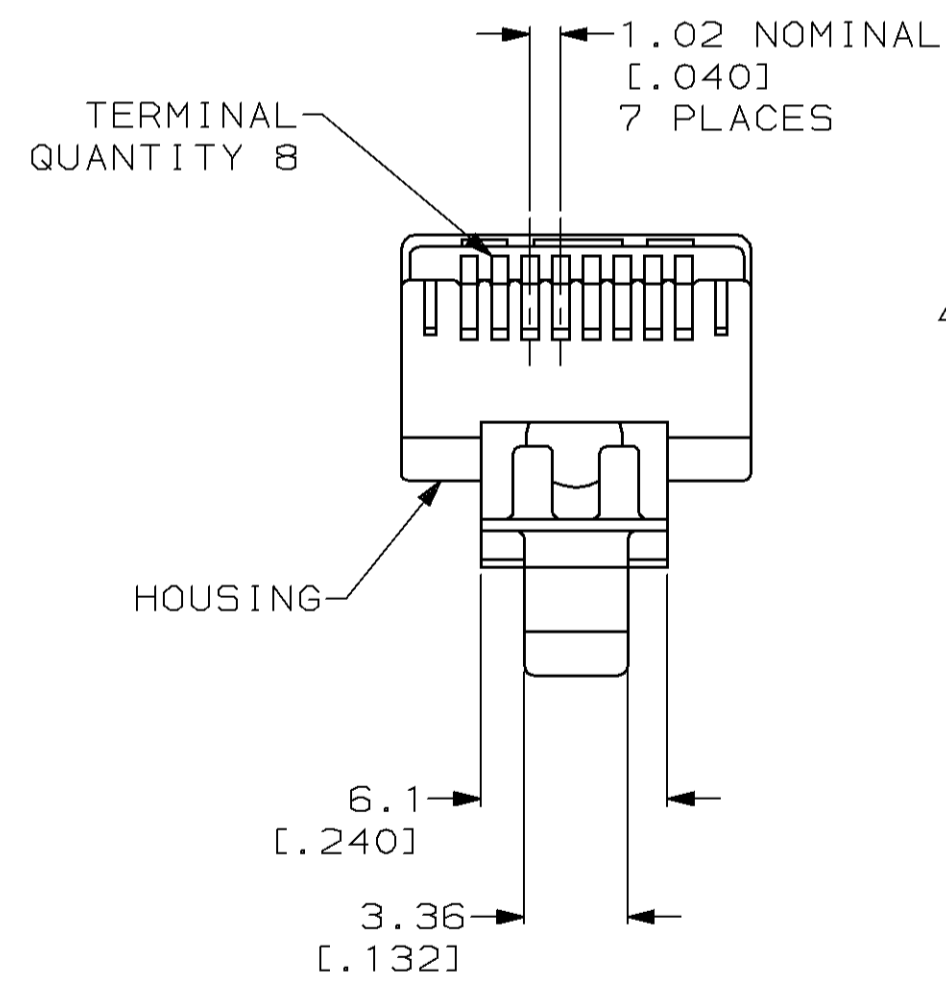


THIS DRAWING IS UNPUBLISHED. RELEASED FOR PUBLICATION
 © COPYRIGHT 19 BY AMP INCORPORATED. ALL RIGHTS RESERVED.

LOC	DIST	REVISIONS					
		P	LTR	DESCRIPTION	DATE	DWN	APVD
AA	22	0		RLSD; NPR C95-166	10-12-95	GG	CW



- 1. DIMENSIONS ARE MAXIMUM UNLESS OTHERWISE SPECIFIED.
- 2. MATERIAL: HOUSING-POLYCARBONATE, CLEAR
 TERMINAL-PHOSPHOR BRONZ, PLATED WITH 1.27µm [.000050] MINIMUM THICK GOLD IN LOCALIZED GOLD PLATE AREA, GOLD FLASH OVER THE REMAINDER, OVER 2.54µm [.000100] MINIMUM THICK NICKEL UNDERPLATE. SHIELD-COPPER ALLOY PLATED WITH 2.03µm [.000080] MINIMUM THICK TIN LEAD OVER 2.03µm [.000080] MINIMUM THICK COPPER UNDERPLATE. LOAD BAR-PBT POLYESTER, BLACK.
- 3. PLUG WILL ACCEPT A 24 OR 26 AWG STRANDED CONDUCTOR, PROVIDED THE INSULATED CONDUCTOR DIAMETER IS 0.89[.035] TO 0.99[.039] WITH A SHIELDED, PLIABLE, LOOSE CABLE JACKET OF 4.83[.190] TO 5.21[.205] DIAMETER OR A SHIELDED, RIGID, HARD CABLE JACKET OF 4.83[.190] TO 5.08[.200] DIAMETER.



- 4. TERMINATED DIMENSION 6.15 [.242] MAXIMUM.
- 5. PACKAGED 500 ASSEMBLIES AND 500 LOAD BARS PER CARTON.
- 6. PACKAGED 100 ASSEMBLIES AND 100 LOAD BARS PER BOX.
- 7. PACKAGED 25 ASSEMBLIES AND 25 LOAD BARS PER BAG.

7	5-569552-4
6	5-569552-3
5	5-569552-2
PACKAGED	PART NO.

<small>THIS DRAWING IS A CONTROLLED DOCUMENT FOR AMP INCORPORATED. IT IS SUBJECT TO CHANGE AND THE CONTROLLING ENGINEERING ORGANIZATION SHOULD BE CONTACTED FOR THE LATEST REVISION.</small>		DWN G. GARRETT 10-12-95 CHK C. WHITT 10-31-95 APVD E. LAURER 11-7-95	AMP AMP Incorporated Harrisburg, PA 17105-3608
DIMENSIONS: mm [INCHES]	TOLERANCES UNLESS OTHERWISE SPECIFIED: 0 PLC ±- 1 PLC ±- 2 PLC ±- 3 PLC ±- 4 PLC ±- ANGLES ±- FINISH ±-	NAME PRODUCT SPEC 108-1163 APPLICATION SPEC 114-6053 WEIGHT - CUSTOMER DRAWING	MODULAR PLUG ASSEMBLY, 8 POSITION, SHIELDED, ROUND CABLE, STRANDED WIRE, HIGH PERFORMANCE
MATERIAL 2	FINISH 2	SIZE A2 CAGE CODE 00779 DRAWING NO. C-569552	SCALE 4:1 SHEET 1 OF 1 REV 0

569552

B

A